

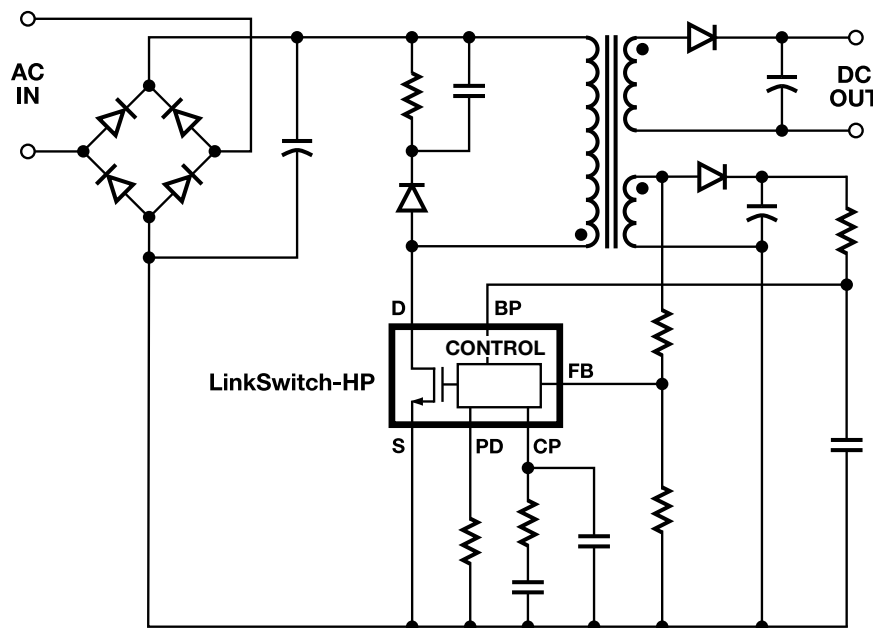
# LinkSwitch™-HP



## Key Features

- Eliminates optocoupler and secondary side control circuitry
- Less than 30 mW no-load
- >75% efficient at 1 W input
- Comprehensive protection features
- Delivers up to 118 W

## High Power Off-Line Switcher with Accurate Primary-Side Regulation



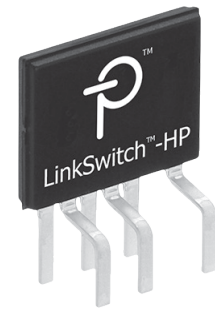
PI-6530-101711

## Applications

- LCD monitor and TV
- Adapter
- Appliances
- Industrial
- Embedded power supplies

## Output Power

Product	230 VAC ±15%		85-265 VAC	
	Adapter (W)	Open Frame (W)	Adapter (W)	Open Frame (W)
LNK6xx3K/V	15	25	9	15
LNK6xx3K	21	35	12	21
LNK6xx3E	21	35	13	27
LNK6xx4K/V	16	28	11	20
LNK6xx4K	22	39	15	28
LNK6xx4E	30	47	20	36
LNK6xx5K/V	19	30	13	22
LNK6xx5K	26	42	18	31
LNK6xx5E	40	59	26	45
LNK6xx6K/V	21	34	15	26



Packages:  
E: eSIP-7C, K: eSOP-12B, V: eDIP-12B

For a complete list of LinkSwitch-HP devices, please visit our website.

## Design Support

- Data Sheet [LinkSwitch-HP data sheet \(www.power.com/linkswitch-hp-data-sheet\)](http://www.power.com/linkswitch-hp-data-sheet)
- Application Note [LinkSwitch-HP design guide \(AN-58\) \(www.power.com/an-58\)](http://www.power.com/an-58)
- Design Example [30 W single-output flyback converter \(RDR-313\) \(www.power.com/rdr-313\)](http://www.power.com/rdr-313)